

Frese Frost Tap

Application

The Frese frost tap is an outdoor tap which can be installed in exterior walls 300 mm to 500 mm thick.

Combined model for handle or key. Simple shortening in one pipe only and with ceramic closure.

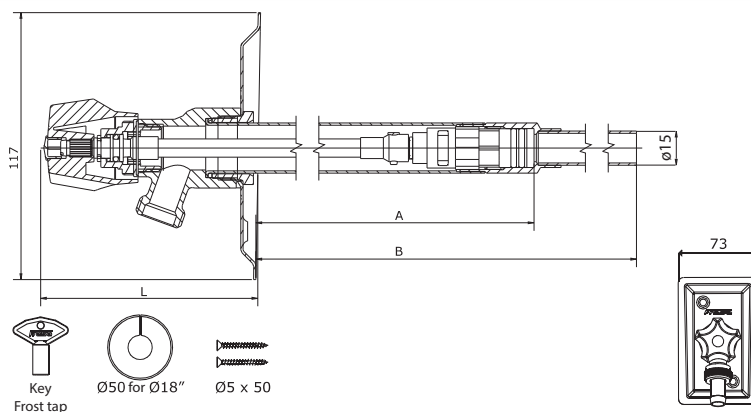
Has a built-in check valve in a frost-free location on the inner side of the wall, which prevents return flow in the absence of water pressure.



Technical Data

- Housing:** Brass
- Top piece:** Brass
- Handle:** Cicolac GPM 5500S
- Pressure class:** PN10
- Approval:** VA approved

Technical Drawing

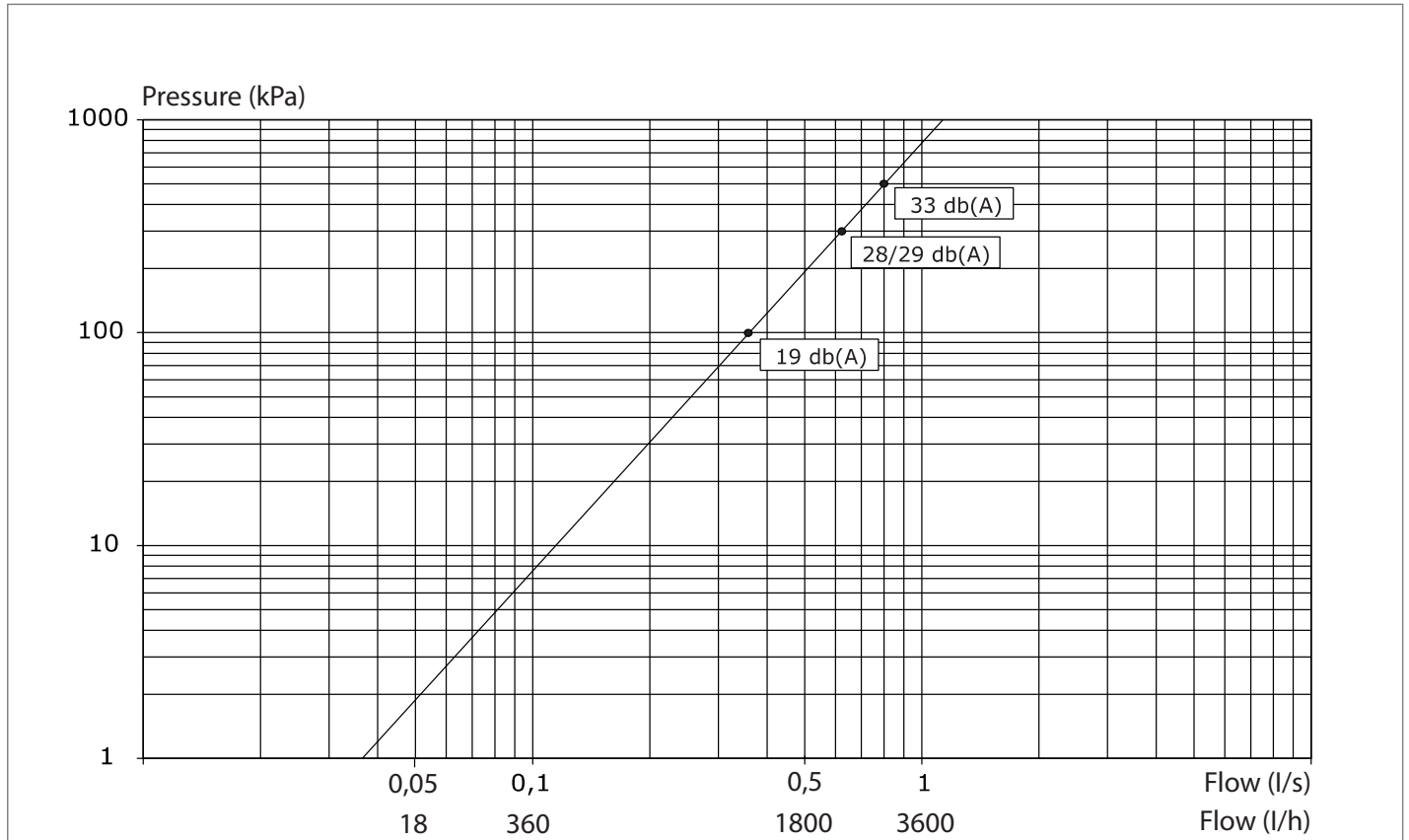


Product Range

	Frese no.	DN	For walls 300-500 mm thick	L	A	B
	29-2014	15	Frost tap with handle/key	95	290	550
	Frese no	Accessories				
	46-9006	Handle (ABS) - chrome plated				
	09-0956	Ceramic element with spindle 300-500 mm				
	07-2623	Key for frost tap				

Frese Frost Tap

Pressure Drop Graph



Installation

During installation, ensure that excessive pressure does not build up.

Excessive pressure (30 bar) can damage the ceramic closure.

The pressure in an isolated pipe section will rise dramatically as the water expands due to natural heating.

There must therefore always be a built-in safety system to equalise the pressure.

The ceramic closure must always be placed in a frost-free location on the inner side of the wall.

See the enclosed installation instructions.

Frese A/S assumes no responsibility for errors, if any, in catalogues, brochures, and other printed matter. Frese A/S reserves the right to modify its products without prior notice, including already ordered products, if this does not alter existing specifications. All registered trademarks in this material are the property of Frese A/S. All rights reserved.

Frese A/S
 Sorøvej 8
 DK-4200 Slagelse
 Tel: +45 5856 0000
 Fax +45 5856 0091
 info@frese.dk