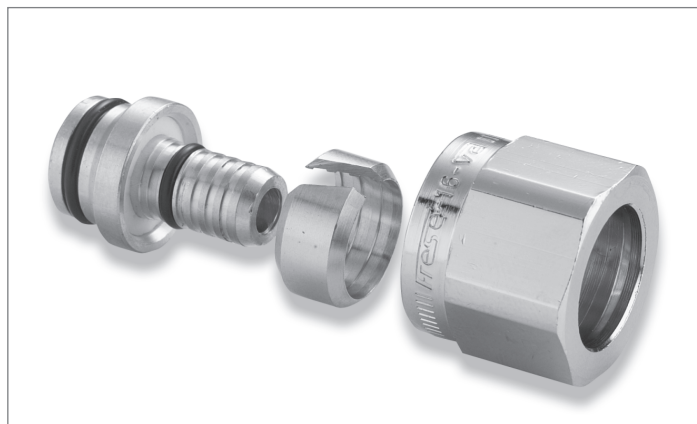


Frese AluPEX Union with Integrated Support Sleeve

Application

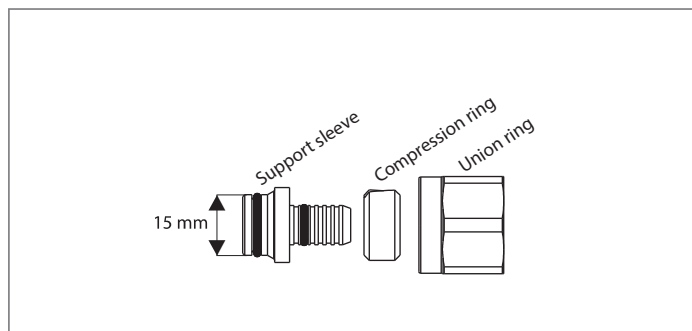
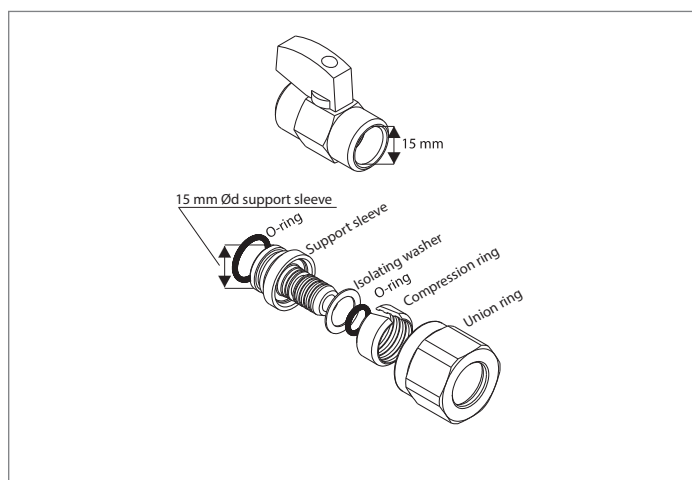
The AluPEX union with integrated support sleeve is used when joining AluPEX pipes to ball valves or threaded male fittings.

AluPEX unions can be used in cooling and heating systems.



Connection

AluPEX unions may be connected to the following valves and fittings: Frese ball valves with 1/2" pipe thread or other manufacturer's connectors with a 15 mm hole for copper pipe in the threaded male fitting, such as threaded adapters, manifolds, fittings, valves and ball valves.



Frese A/S assumes no responsibility for errors, if any, in catalogues, brochures, and other printed matter. Frese A/S reserves the right to modify its products without prior notice, including already ordered products, if this does not alter existing specifications. All registered trademarks in this material are the property of Frese A/S. All rights reserved.

Technical Data

Materials:

Union nut: Brass
Compression ring: Brass
Integrated support sleeve: Dezincification resistant brass
O-rings: EPDM, rubber
Isolating washer: PTFE

Pressure class: PN10
Temperature: Max. 100°C
Packaging: Practical plastic rail with 10 units



Chrome plated AluPEX union		
Frese no.	Dim. PEX pipe	Ød sup. sleeve
31-2541	DN15 to Ø16x2.0 mm	15 mm

Installation instructions:

Check that the inside and outside dimensions of the pipe and AluPEX union match. Cut off the AluPEX pipe at a right angle and check that the end is free of burrs and damage.

Connection: To valves, fittings and manifolds. Fit the union nut, compression ring and support sleeve to the AluPEX pipe. Then press the end of the support sleeve fitted with an O-ring into the threaded male fitting with a 15 mm hole for copper pipe. **Tightening:** The union nut should be drawn tight and then turned a further 1½ to 2 turns. Check that the connection is sealed, and tighten further if necessary.

Frese A/S
 Sorøvej 8
 DK-4200 Slagelse
 Tel: +45 5856 0000
 info@frese.dk

