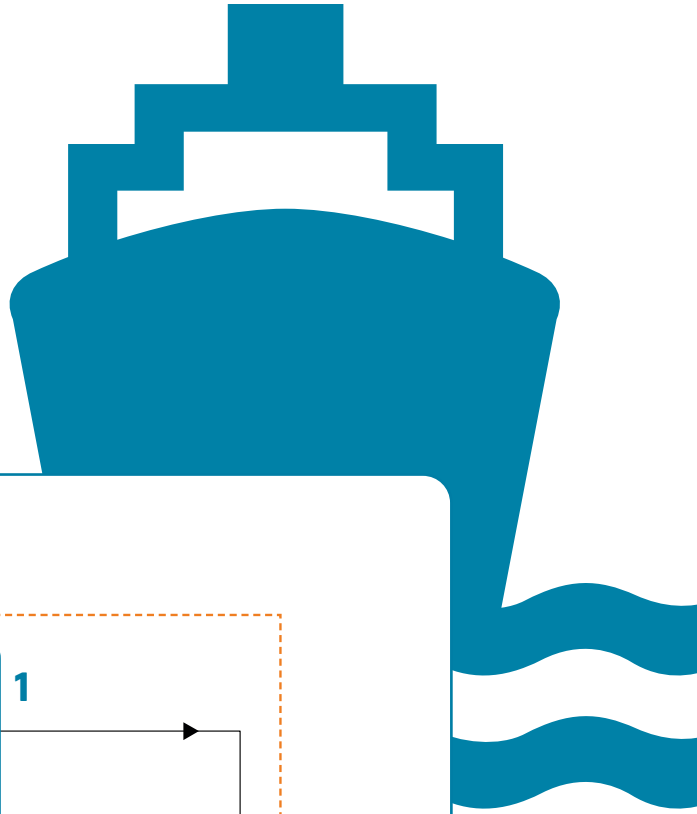
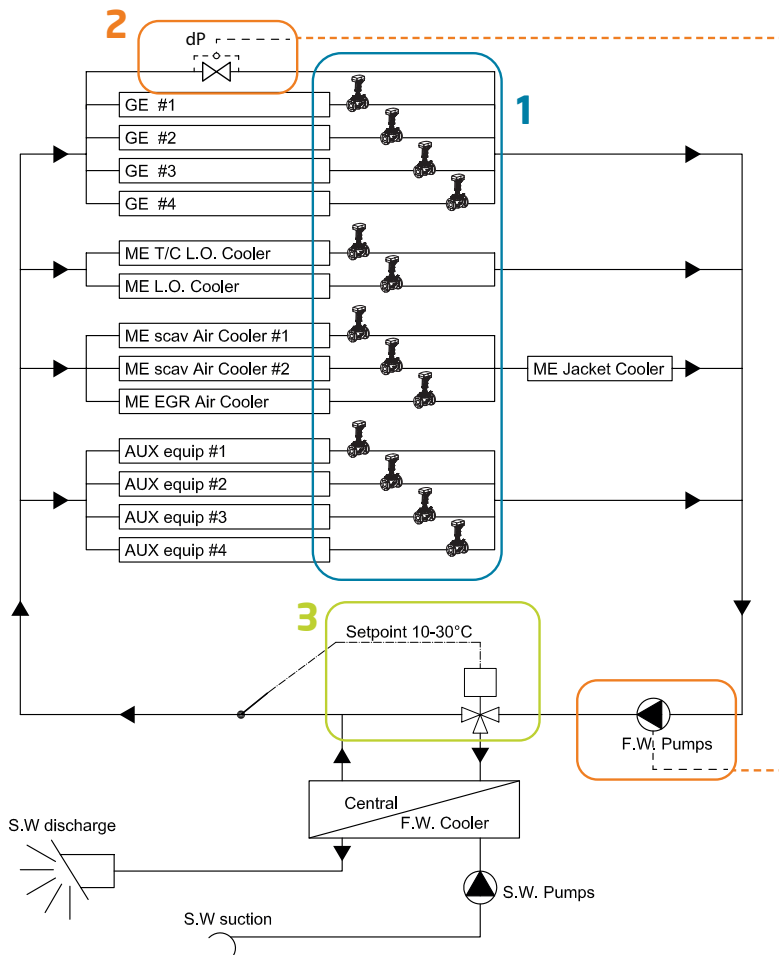


Frese FUELSAVE™

Optimise to Economise



Mechanical System Schematics Example



1

The flow is distributed by dynamic valves positioned at each client. No valves in serial connection.

2

Optimum pump savings are obtained by running the pump via signal from external pressure transmitter positioned at critical point in system.

3

Overall temperature is controlled by Frese 3-way valve leakage rate Class IV.